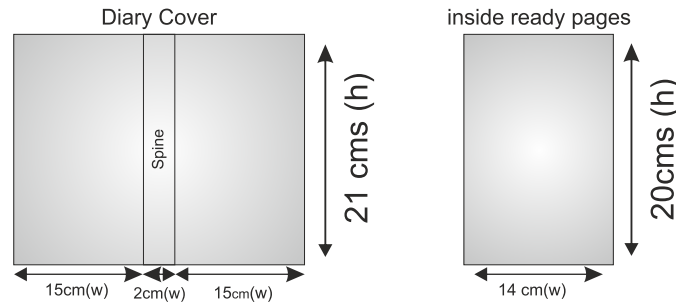




TECHNICAL DETAILS FOR CALLING QUOTATIONS
ITEM : AEPC Diary 2018

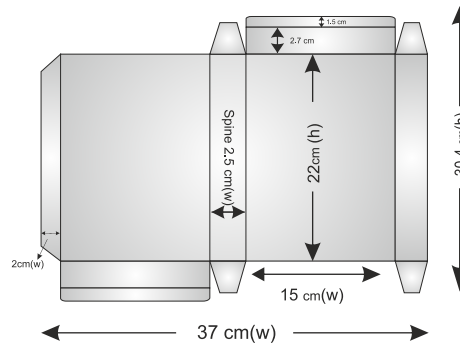


- | | | |
|-----------------------------------|---|--|
| 1. Job | : | Printing of AEPC Diary 2018 |
| 2. Quantity | : | 900 pieces |
| 3. Size | : | Ready cover size : 15cm (w) x21 cm (h) (Finish Size)
Ready inside page size : 14 cms (w) x 20 (h) (Finish Size) |
| 4. Printing | : | offset printing |
| 5. Colour | : | 2 color inside information & date page offset printing
4 color Separators & The World Map |
| 6. Paper to be used | : | 120 GSM for first 4 (blank) & last four pages (World Map)
120 GSM White Maplitho for Separators
Paper for inside pages : 70 GSM White Maplitho |
| 7. Ribbon + book marker | : | Ribbon size 0.5 Cms Width, length 10 Cms,
Ribbon color Brown as per sample
Book mark as per design 17 x 5 cm 300 GSM 4 colour printing both side |
| 8. Binding & Embossing | : | The Quality as per sample to be Approved before by AEPC
Leatherte Binding with 30 owz cardboard, Pasting
and Embossing AEPC LOGO on Diary Cover |
| 9. No. of Pages | : | First 4 pages blank + upto 42 starting informative pages in two color printing
+ 330 to 340 inside pages (front back) in two color + world map in four color
+ upto 12 Separators four colour printing, Indexing of the every Month |
| 10. Processing | : | All related processes for the printing of this job will be done/ executed by
the printers at their cost. |
| 11. Proofing | : | Color printout for color matching will be supplied by AEPC whereas actual
four colour proofing to match the colors of printout and for the approval of
colours by our Design Consultant will be done by the printers at their cost. |
| 12. Fabrication | : | Fabrication will be done as per our layout/ design. Die-making, cutting and
fabrication will be done by the printers at their cost. Printer should also
arrange for provision of affixing poster by running three lines of adhesive
from one edge to other width size (covering top edge middle edge &
bottom edge) |
| 13. Packing | : | Each diary in Craft Paper Box |
| 14. Delivery schedule | : | |

The Diary is absolutely same standard of quality as sample given by AEPC



TECHNICAL DETAILS FOR CALLING QUOTATIONS
ITEM : AEPC Diary Box 2018



- 1. Job** : **Printing of AEPC Diary Box 2018**
- 2. Quantity** : **900 pieces**
- 3. Size** : **Ready Size : 15cm (w) x 22cm (h) (Finish Size) refer given sample of Box**
- 4. Printing** : **One Color Screen Printing with AEPC logo**
- 5. Colour** : **One colour**
- 6. Paper to be used** : **Craft Paper Brown**
- 7. Processing** : All related processes for the printing of this job will be done/ executed by the printers at their cost.
- 8. Proofing** : Color printout for color matching will be supplied by AEPC whereas actual four colour proofing to match the colors of printout and for the approval of colours by our Design Consultant will be done by the printers at their cost.
- 11. Fabrication** : Fabrication will be done as per our layout/ design. Die-making, cutting and fabrication will be done by the printers at their cost. Printer should also arrange for provision of affixing poster by running three lines of adhesive from one edge to other width size (covering top edge middle edge & bottom edge)
- 12. Packing** : Each diary in Craft Paper Box
- 13. Delivery schedule** :